

rotork®

Gears



SPI - Smart Position Indicator

Limit switches enclosed in a IECEx/ATEX certified protective enclosure providing an accurate and reliable Open/Close signal to the control room for multi-turn manual valves. Using 30+ years of proven technology, the new Smart Position Indicator mechanically displays the position of the valve for in-field notification and digitally signals its open/closed position.

With certification for use in gas and dust explosion hazardous environments, the Smart Position Indicator helps to create a safer working environment. The compact Smart Position Indicator offers Ex e or Ex i certified limit switches complete with internal terminations, removing the requirement for an external junction box.

Application

The Smart Position Indicator is designed for use in chemical, petro-chemical, oil and gas industries, power plants and water supply.

Features

- Multi-turn manual duty
- ISO5210 F10 output
- Anodised aluminium housing
- Stainless Steel fasteners
- Protected shafts
- Adjustable open/shut plates & contacts
- Maintenance free
- Switches and terminals housed inside a protective enclosure
- Switches used:
 - Bartec 07-1501-6520-63
 - Pepperl+Fuchs NCB2-V3-N0
 - Crouzet 831391 CBB.5.A
 - Omron D3V-161-1A5 (or equivalent)
- Mount to existing F10 input flange (stem acceptance Ø20 x 60 mm)
- Direct mount to rising stem valve (max stem acceptance Ø20 x 100 mm stroke including thrust taking)

SPI Smart Position Indicator

Options

- Pin / key handwheel

Environmental Specification

- IP67 minimum sealed unit

Certification

- **Hazardous Area:**

On versions fitted with flameproof micro-switches:

Ex II 2GD

Ex e d IIC T4 Gb / Ex h IIC T4 Gb / Ex tb IIIC T135°C Db IP67
T ambient = -25 to +65 °C
(1.5 A version) or -25 to +40 °C (5 A version)

On versions fitted with intrinsically safe proximity sensors:

Ex II 2G

Ex ib IIC T4 Gb / Ex h IIC T4 Gb
T ambient = -25 to +100 °C

- **Non Hazardous Area:**

Watertight & Dust-tight, BS EN 60529 IP67
T ambient = -25 to +100 °C

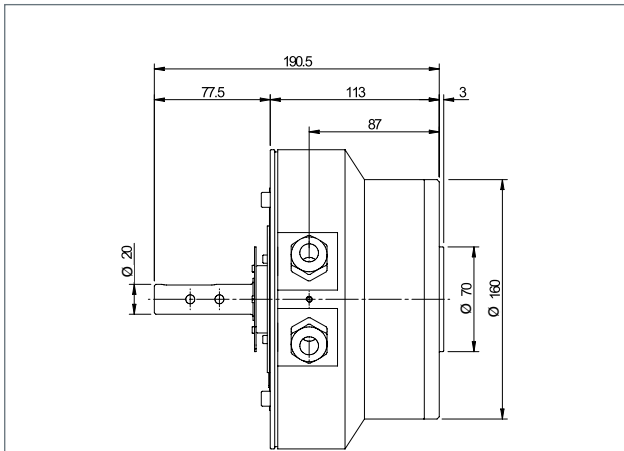
Keeping the World Flowing

Technical Specification

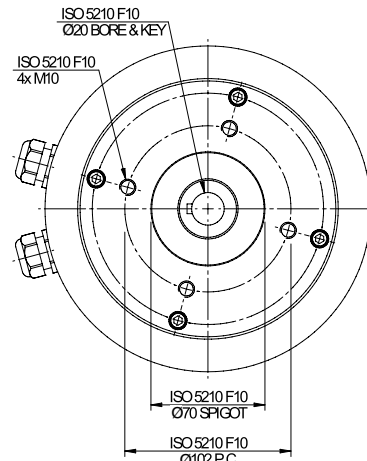
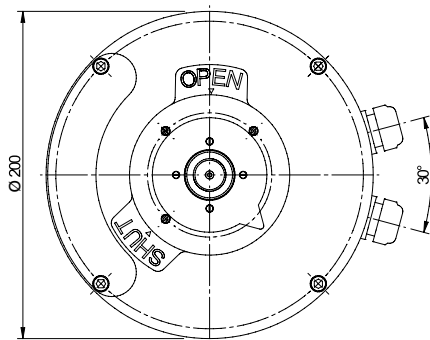
Size	Ratio : 1	Gearbox Number of Turns		Weight (kg)
		Min	Max	
SPI 1	34.8	4	26	6.4
SPI 2	113.3	13	87	6.4
SPI 3	368	42	284	6.6
SPI 4	1196	137	923	6.7

Material Specification

Description	Material
Fasteners	Stainless Steel A4
Position Indicator	Stainless Steel 303
Sealing	NBR
Housing	Aluminium
Gearing	Carbon Steel C45
End Plates	Aluminium



Note: Cable glands are shown for pictorial purposes only.
Cable gland holes are 1/2" - 14 NPT.



Rotork Gears UK
9 Brown Lane West
Holbeck, Leeds LS12 6BH
England
tel +44 (0)113 256 7922
email sales@rotorkgears.com

Rotork Gears Americas
1811 Brittmoore
Houston, Texas 77043, USA
tel +1 713 9837381
fax +1 713 8568022
email gears@rotorkgears.com

Rotork Valvekits Americas
Rotork Tulsa, Inc.
4433 West 49th Street, Suite D
Tulsa, OK 74107, USA
tel +1 (918) 259-8100
fax +1 (918) 259-9167
email usasales@rotorkvalvekits.com

Roto Hammer Industries
Rotork Tulsa, Inc.
4433 West 49th Street, Suite D
Tulsa, OK 74107, USA
tel +1 (918) 446-3500
fax +1 (918) 446-6218
email sales@rotohammer.com

Rotork Gears BV
Nijverheidstraat 25
7581 PV Losser
P.O. Box 98, 7580 AB Losser
The Netherlands
tel +31 (0)53 - 5388677
fax +31 (0)53 - 5383939
email info@rotorkgears.nl

Rotork Gears Shanghai
No. 260 Lian Cao Road
Xin Mei Urban Industrial Park
Min Hang District
Shang Hai 201108
China
tel 0086 21 33236200
fax 0086 21 64348388
email info@rotorkgears.com.cn

Rotork Gears S.R.L.
Viale Europa 17
20090 Cusago (MI)
Italy
tel +39 0290 16711
fax +39 0290 390368
email rgsl.sales@rotork.com

Rotork Gears India
165/166, Bommasandra
Jigani Link Road
Kiadb Industrial Area, Anekal
Thaluk
Jigani Hobli, Bangalore 562106
India
tel +91 80 3098 1600
fax +91 80 3098 1610
email sales@rotork.co.in

Rotork Valvekits
Brookside Way
Nunn Park
Huthwaite
Nottinghamshire NG17 2NL
England
tel +44 (0)1623 440211
fax +44 (0)1623 440214
email sales@rotorkvalvekits.com

A full listing of the Rotork sales and service network is available on our website.

www.rotork.com