

ECL Position Indicator

Position Indicator for Remote
Valve Operation



ECL Position Indicator

The ECL is a remote mechanical position indicator made out of a set of gears depending on the gearbox ratio. They are boxed in an aluminium housing. The ECL comes with an F10 base plate to fit any extension with F10.

Application

The main application is where valve and gearbox are buried, the ECL enables the operator to see the position of the valve. It can also be used for underground application where the valve and gearbox are in a chamber making it awkward for the operator to see the valve position.

Features

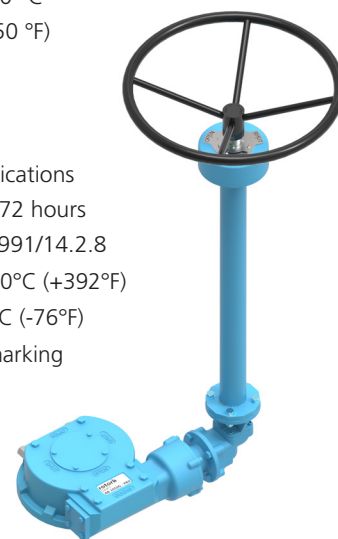
- Aluminium housing
- Drive bush steel zinc plated
- Carbon steel gears
- Stainless steel fasteners
- Stainless steel indicator
- Stainless steel adjustable open/shut

Environmental Specification

- Enclosure: sealed to IP67
- Temperature: -40 to +120 °C
(-40 to +250 °F)

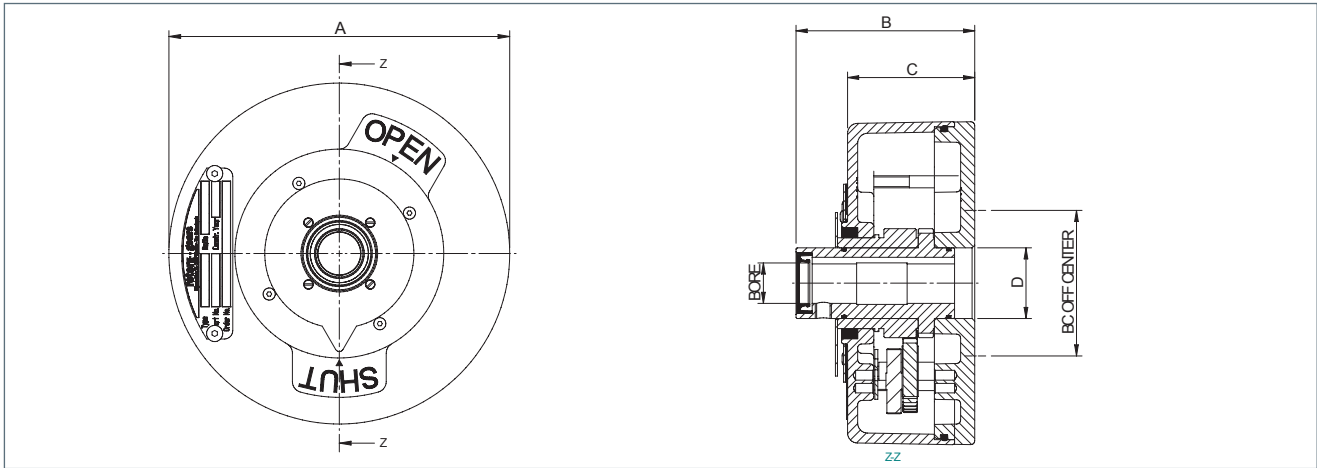
Options

- IP68 for submerged applications up to depth 1 metre for 72 hours according to EN60529:1991/14.2.8
- High temperature to +200°C (+392°F)
- Low temperature to -60°C (-76°F)
- Adjustable 1/3 and 2/3 marking



E1950G + MW100 90° Bevel +
extension + ECL + Handwheel

ECL Position Indicator Dimensions

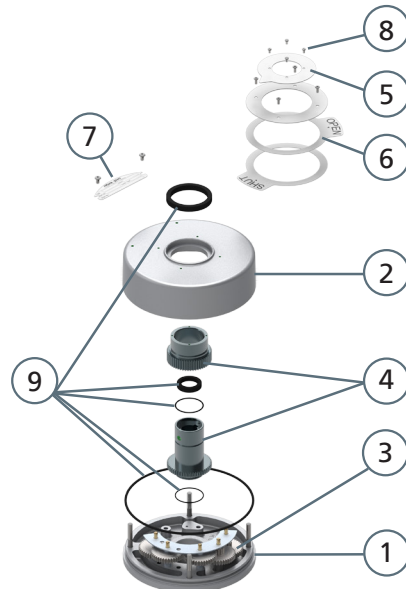


Size	A	B	C	D	Bore	BC off center (F10)	Weight kg	Ratio:1	Gearbox number of turns	
									Minimum	Maximum
ECL1	160	88.5	63	35	Ø20 Key 6	Ø102 4x M10 (10 Min. Thread depth)	3.2	34	5.5	28
ECL2	160	88.5	63	35	Ø20 Key 6	Ø102 4x M10 (10 Min. Thread depth)	3.2	112	18	94
ECL3	160	88.5	63	35	Ø20 Key 6	Ø102 4x M10 (10 Min. Thread depth)	3.4	363	58	305
ECL4	160	88.5	63	35	Ø20 Key 6	Ø102 4x M10 (10 Min. Thread depth)	3.6	1196	190	985
ECL5*	160	88.5	63	35	Ø20 Key 6	Ø102 4x M10 (10 Min. Thread depth)	3.6	3830	540	3200

*ECL5 only on request. All dimensions in millimetres.

Material specification for ECL Position Indicator

No.	Description	Material
1	Bottom plate	Aluminium
2	Cover plate	Aluminium
3	Gearing	Carbon steel C45
4	Drive bush	Steel zinc plated
5	Position indicator	Stainless steel 316
6	Open / Shut indication	Stainless steel 316
7	Tag plate	Stainless steel 316
8	Stainless Steel fasteners	Stainless steel A4
9	Sealing	NBR 70



A full listing of our worldwide sales and service network is available on our website at

www.rotork.com

Headquarters
Rotork Gears UK
tel +44 (0)113 2567922
email sales@rotorkgears.com