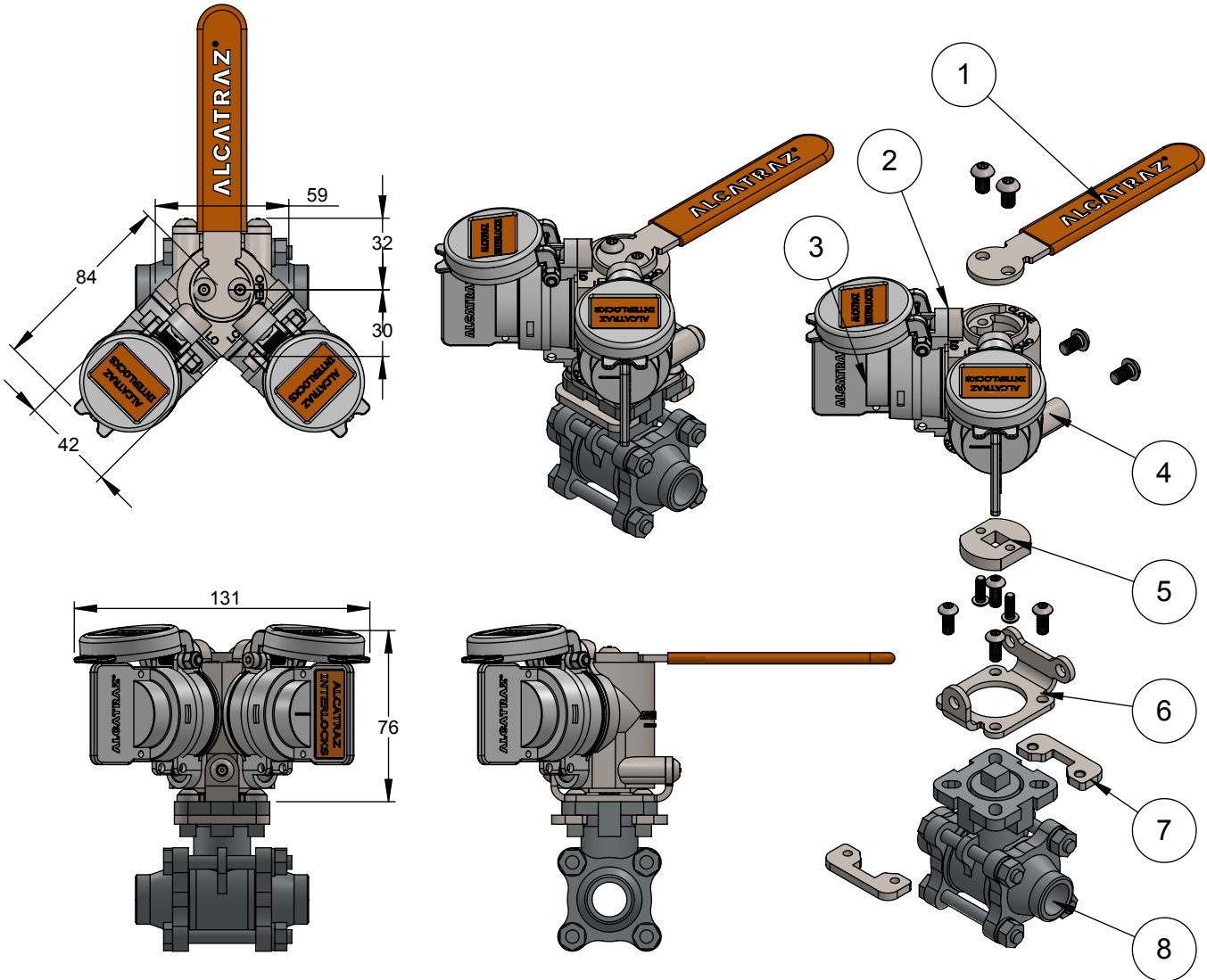


General Arrangement Drawing



Bill of Material

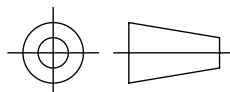
Pos.	Description	Material
1	lever	AISI 316 polished
2	Lock Portion incl. Dustcap	CF8M / 316 ASTM A743/A743M electro polish
3	Key	CF8M / 316 ASTM A743/A743M electro polish
4	Quarterturn Mini Main Unit	CF8M / 316 ASTM A743/A743M electro polish
5	valve	client specification
6	Stem Adapter	AISI 316 polished
7	Mounting Kit	AISI 316 polished
8	fixing plate	AISI 316 polished

ALCATRAZ
 INTERLOCKS
 SAFETY BY DESIGN

General Arrangement Drawing

DQL-S

Projection :



drawn : DV

checked : IJE

date : 2-10-2018

model : DQL

type : DQL-S

print size : A4

purpose : Double key Quarterturn interLock Small profile